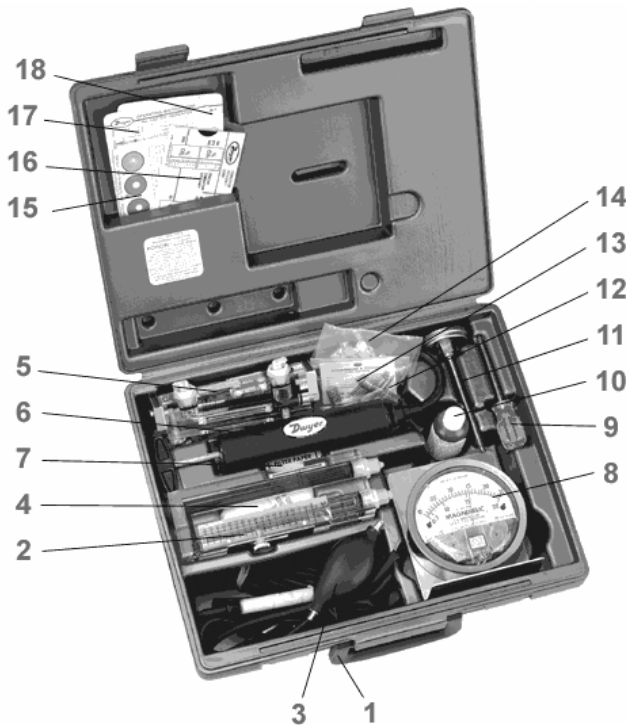


1200

# Dwyer Combustion Test Kit



## *It's complete – with extra supplies to save you time and money*

- (1) New easy-to-carry, impact resistant, custom-molded polyethylene carrying case with handle, living hinges and clasps. All components are nested for quick access and protection.
- (2) No. 1101 CO<sub>2</sub> Indicator - Clear acrylic plastic, virtually unbreakable, 4" adjustable scale, 0-16% in .2 divisions, Finger tight inlet valves - no tools needed to renew absorbent solution. O-ring seals will not leak.
- (3) Aspirator Bulb, Filter and Tubing Assembly - Has refillable filter, metal terminal tube and CO<sub>2</sub> Indicator valve adapter.
- (4) Filter Wool - Extra supply in bag for about 1000 tests.
- (5) No. 171 Draft Gages - Continuously indicating, permanently accurate. W.C. range in .01 divisions. Model 170 and 172 (optional, not shown) have 0 to .5 and 0. 1.0" W.C. ranges respectively. Magneclip equipped for "touch-cling" mounting of plastic gage on steel surfaces. (Also see No. 1200-B below).
- (6) New Dwyer Smoke Gage Pump - Fast-working, this first known unit to conform with ASTM D-2156-XX standards for testing smoke density in flue gases from burning distillate fuels.
- (7) Smoke Filter Paper - A new, exclusive Dwyer development. Roll of filter paper is contained in a dispenser box for protection and quick use.
- (8) Magnehelic® Gage - 0.25" W.C. and 300 to 2000 FPM. Included in Model 1200-B kit below.
- (9) Awl - Pierces smoke pipe for thermometer and sampling tubes.
- (10) CO<sub>2</sub> Absorbent Solution - extra supply for many tests.
- (11) No. A-503 Stack Thermometer - Dial type, stainless steel 200° to 1000° F ranges in 10° divisions. 2 1/4" dial, 5" stem.
- (12) Gage Oil - Long-lasting extra supply.
- (13) Spring Holders - for thermometer and terminal tubes.
- (14) Hole Plugs - Packet to fill awl holes.
- (15) Smoke Chart - Laminated plastic for comparison with samples taken.
- (16) Dwyer Combustion Efficiency Slide Rule Computer - Simple to operate. Backside demonstrates the relationships of flame height, temperature, smoke sample, gage readings, laminated plastic; wipes clean.
- (17) Operating Instructions - Simple, Illustrated. Show step-by-step use of each item. Wipe clean plastic.
- (18) Combustion Data Cards and Parts List - Plastic, Complete Kit, weight only 6 lbs. 8 oz.

**HVACtool.com**

brought to you by

**John H. Leavey Manufacturing, INC.**

Toll Free (800) 537-1339 / Local: (315) 592-4794 / Fax (315) 592-4796 • P.O. Box 720 / Fulton, NY 13069-0720